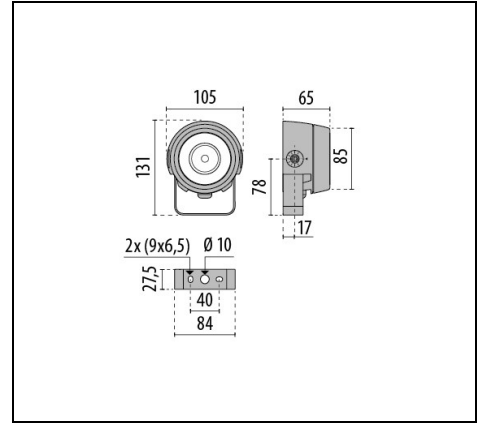
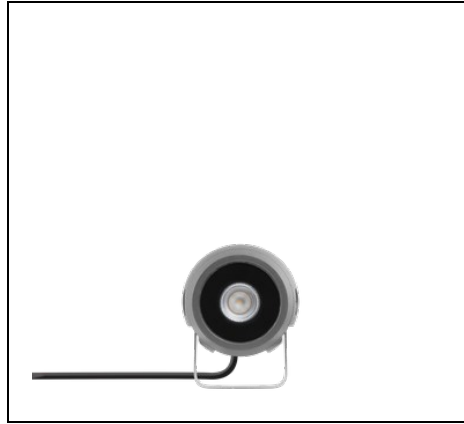
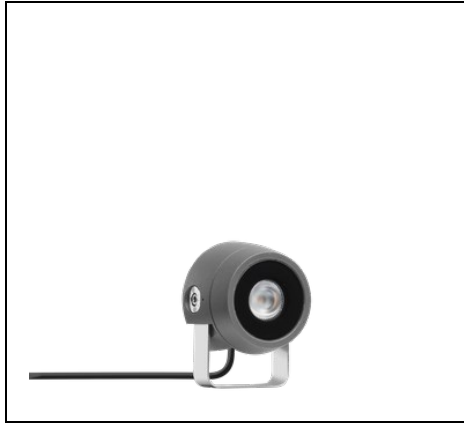


TYK+ 10 C/I

Part number 3107284



Description

LED floodlight for indoor and outdoor, comprising:

- Die-cast aluminium housing, polyester powder coat finish ISO 9227/12944 - ISO 9223 (C5)
- Extra-clear, toughened, flat glass diffuser, silk-screened on the inside
- Glazing diffuser permanently sealed to the housing through high-temperature resistant silicone
- High-transparency polycarbonate optics
- Anti-ageing custom moulded silicone sealing gasket(s) with resilient elastic return capacity
- Intensive circular optic
- Tear-proof nickelled brass cable gland M16x1.5 for cables Ø 5 mm- Ø 10 mm
- Stainless steel locking hardware
- Stainless steel wall-mounting bracket
- Complete with 1 m factory pre-wired cable H05RN-F 3G1 mm²
- Integral graduated stainless steel goniometer for precise aimings
- The snoot accessory is compatible with narrow-beam (C/I) optics
- For ELL 65x35 / 9x70 / 70x9 versions consult factory
- Photometric data measure according to UNI EN 13032-4 and IES LM-79-08

Product data

ETIM Group:	EG000027	ETIM Class:	EC001744
-------------	----------	-------------	----------

General information

Lampholder:	LED	Light source:	LED
Lightsource lumen output [lm]:	650	Luminaire lumen output [lm]:	518.90
Luminaire wattage [W]:	7 W	Luminous efficacy [lm/W]:	74
CRI:	80	Colour temperature [K]:	3000
Colour / Finishing:	AN-g6 / Anthracite gray / Textured	IP degree of protection:	IP66
IK-J-xxIP:	IK06 1.2J xx3	Protection class:	I
Optic:	Circular Intensive	Beam angle:	10°
Net weight [kg]:	1.018	Overall diameter [mm]:	105
Overall length [mm]:	105	Overall width [mm]:	131
Overall height [mm]:	65		

Mechanical features

Shape:	ROUND < 150 MM	Housing material:	Aluminium
Diffuser material:	GLASS	Frontal exposed area [m ²]:	0.01
Lateral exposed area [m ²]:	0.01	Top exposed area [m ²]:	0.01

Electrical features

Voltage type:	AC	Input voltage [V AC]:	220/240
Input frequency [Hz]:	50/60	Power factor / COS Φ:	<0.6
Inrush current [A/μs]:	4 / 30	C10 1.5 mm ² :	96
C16 2.5 mm ² :	154	B10 1.5 mm ² :	96
B16 2.5 mm ² :	154		

Installation

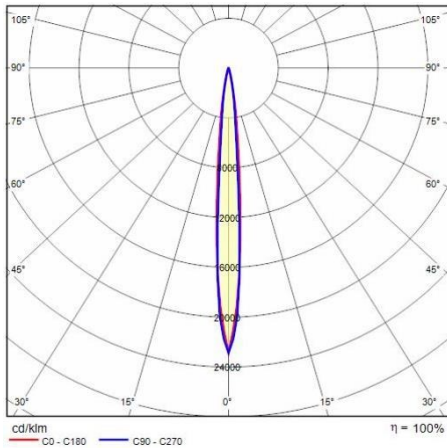
Application area:	Outdoor	Mounting type:	Feature Spot Lights
Min. ambient temperature [°C]:	-20	Max. ambient temperature [°C]:	40
Glass temperature [°C]:	55	Min. distance from lighted object [m]:	0.50

Light features

MacAdam:	3	Lumen maintenance:	L90B10@75000h
Distribution of light emission:	Direct	Luminous Intensity Class:	G*6
Zero light pollution (ULR = 0%):			

To maintain the regular updating of our products, PERFORMANCE iN LIGHTING reserves the right to make changes without prior notice. For the most up to date information we always recommend you read the latest version published on the website www.performanceinlighting.com. Delivered luminaire lumen outputs and power consumptions, including losses, are subject to a tolerance of +/- 7%, and unless otherwise stated the values apply to an ambient temperature of 25°C. Terms of warranty are available at www.performanceinlighting.com/qr/qr/company/terms-and-conditions

Photometric data



Optional accessories

TYK+ 10 C/I

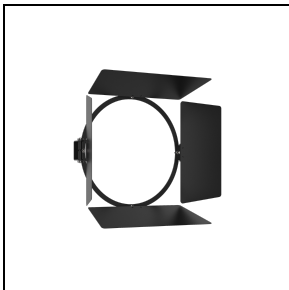


3107463

Anti-glare snoot

■ BK-81 / Black

TYK+ 10



3112969

Barndoors painted

■ BK-81 / Black



700191

Ground spike

■ BK-81 / Black



3108556

Extra rotation bracket +25°/-90°

■ INOX / Stainless steel

